

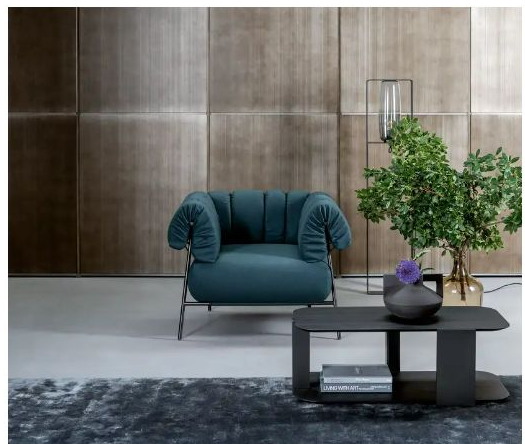
BONALDO

Tirella

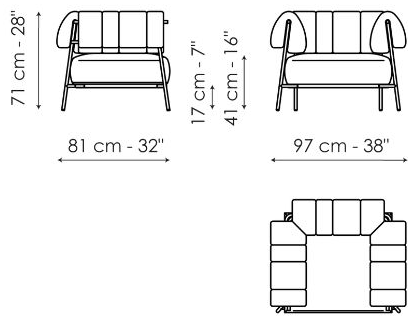


Mixing the ingredients together in an unprecedented manner achieves a new recipe, a new flavor, a new shape. A different concept of the cushion, the way of combining the various elements, the inspiration drawn from the shape of fabric swatches laid on the top of a cutting table and from the clothes hanging out to dry on the line on a sunny day: these

are the ingredients for the new recipe devised for the Tirella armchair. At the level of the armrests, the metal frame is “enveloped” by cushions that become structural and concurrently decorative components of the armchair. The upholstery on the seat cushions and backrest/armrest is completely removable.



Data sheet



Tirella

Width: 97cm

Depth: 81cm

Height: 71cm

Finishes

FEET

Metal



Painted metal
Mat white



Painted metal
Mat dove grey



Painted metal
Supreme anthracite



Painted metal
Mat black

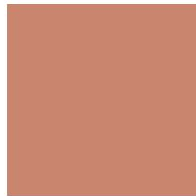
Plus Metal



Painted metal
Mat bronze



Painted metal
Mat lead



Painted metal
Mat copper

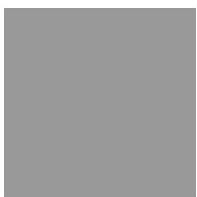


Painted metal
Mat brass



Painted metal
Mat pearl gold

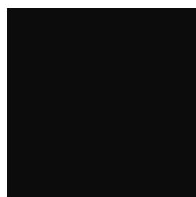
Special Metal



Metal finish
Clouded chrome



Metal finish
Brown nickel



Metal finish
Dark nickel

