

BONALDO

Parentesi

Designer: **Fabrice Berrux**

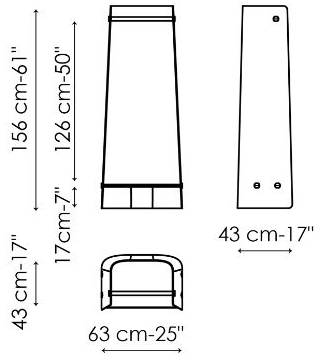


Parentesi is a modern coat rack resembling a niche, able to hold, gather, organise and conceal clothes and items in a practical and original way. With its architectural nature, it defines the surrounding space, keeping it neat and tidy and adding character thanks to its unprecedented design. Parentesi stands out for its simple yet uncommon style suited to different settings, from the entrance hall, to the bedroom

and from the office to the most sophisticated contract spaces. The frame is padded and upholstered in fabric while the top and tubular hanger rail are in black eco-leather. The wide range of choice of fabric allows Parentesi to assume either a more classic or a bolder look, while keeping its functionality and timeless elegance unaltered.



Data sheet

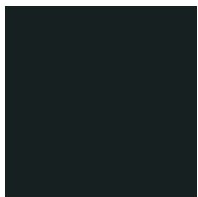


Width: 63cm
Depth: 43cm
Height: 156cm

Finishes

METAL DETAILS

Metal



Painted metal
Mat black

Materials, fabrics, leathers, colors and finishes are approximate and may slightly differ from actual ones. You can find the complete collection of Bonaldo fabrics and leathers on the website

