

# BONALDO

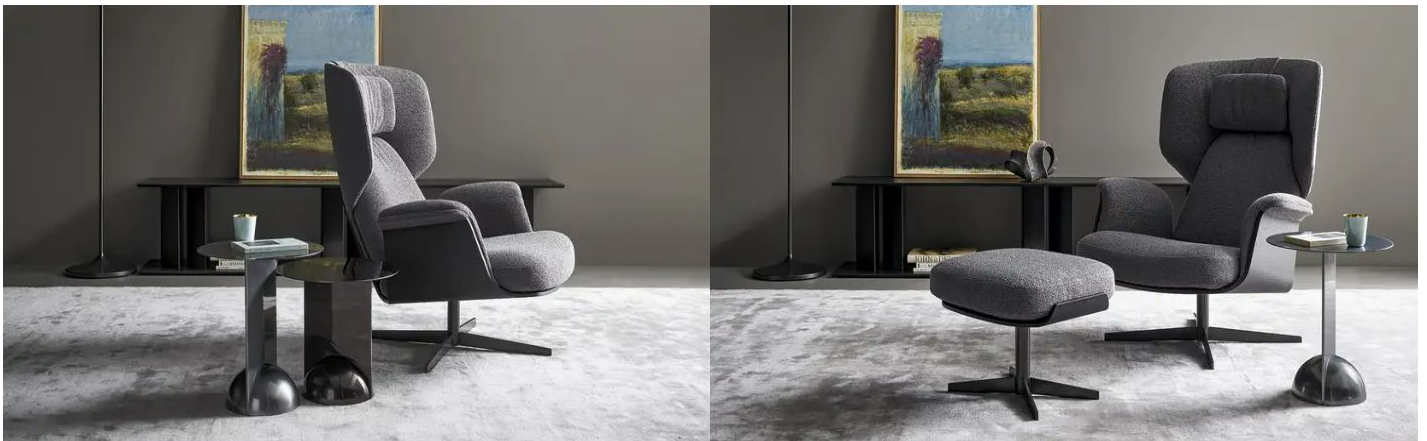
## Olos bergère

Designer: **Mauro Lipparini**

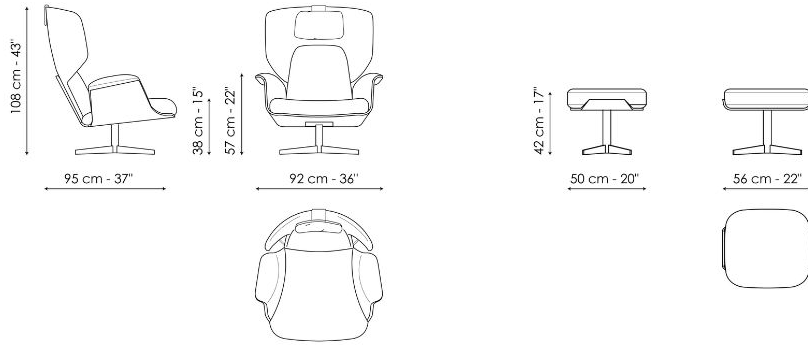


The Olos bergère armchair combined with the Olos footstool complements the Olos collection helping to make it both coordinated and harmonious. The new bergère design armchair offers considerable levels of relaxation, characterized by contours that indicate a lifestyle that is elegant, rigorous, serene and casual all at the same time, presenting a reinterpretation of mid-century modern design

that reminds us of the authenticity of curved lamellar woodworking. Like a protective shell, the gentle smoothness of the curves of the supporting wooden frame combines with the sinuous roundness of the padding, making the generous level of comfort on offer evident at first sight, welcoming you enticingly with its essential forms.



# Data sheet



## Olos bergère

Width: 95cm  
Depth: 92cm  
Height: 108cm

## Olos footrest

Width: 50cm  
Depth: 56cm  
Height: 42cm

# Finishes

## BASE

### Metal



**Painted metal**  
Mat white



**Painted metal**  
Mat black



**Painted metal**  
Supreme anthracite

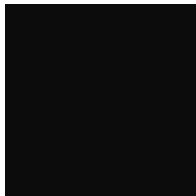


**Painted metal**  
Mat dove grey

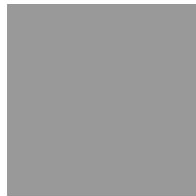
### Special Metal



**Metal finish**  
Brown nickel

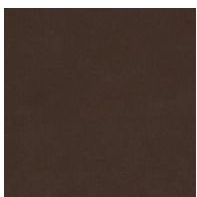


**Metal finish**  
Dark nickel

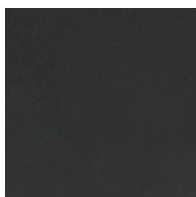


**Metal finish**  
Clouded chrome

### Plus Metal



**Painted metal**  
Mat bronze



**Painted metal**  
Mat lead



**Painted metal**  
Mat pearl gold

