

BONALDO

Lock

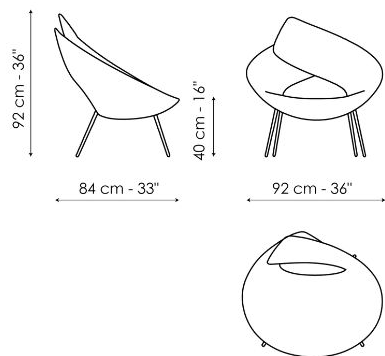


"I think the feeling of safety is something we seek everywhere. It is what distinguishes a welcoming and familiar setting, such as one's home, making it different from any other place," comments Alessandro Busana, designer of the Lock armchair. A furnishing element where the person takes the center stage, which develops around the user through a padded strip that folds onto itself in order to form a backrest.

The upholstery, in fabric, eco-leather or leather, is fully removable and is available in one-colour or two-colour (different for the front part of the seat and the backrest) versions. For the lower part of the armchair, in painted metal, one can opt for four thin legs or for an original swivel base. The Lock ego version with quilting is also available.

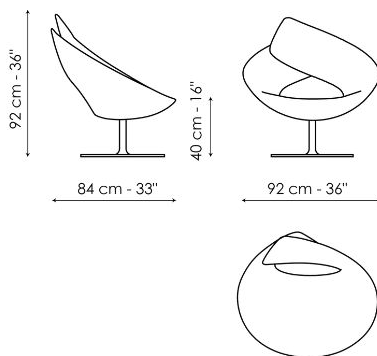


Data sheet



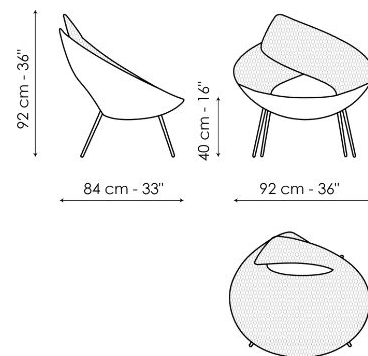
Lock

Width: 92cm
Depth: 84cm
Height: 92cm



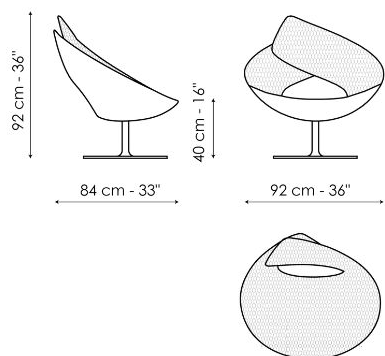
Lock swivel base

Width: 92cm
Depth: 84cm
Height: 92cm



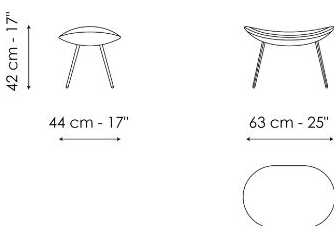
Lock ego

Width: 92cm
Depth: 84cm
Height: 92cm



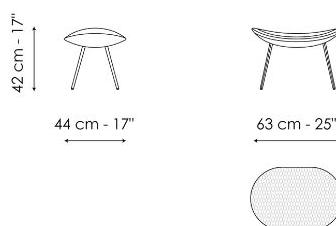
Lock ego swivel base

Width: 92cm
Depth: 84cm
Height: 92cm



Footrest

Width: 63cm
Depth: 44cm
Height: 44cm



Footrest ego

Width: 63cm
Depth: 44cm
Height: 44cm

Finishes

BASE

Metal



Painted metal
Mat white



Painted metal
Mat dove grey



Painted metal
Supreme anthracite



Painted metal
Mat black

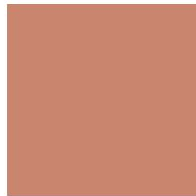
Plus Metal



Painted metal
Mat bronze



Painted metal
Mat lead



Painted metal
Mat copper

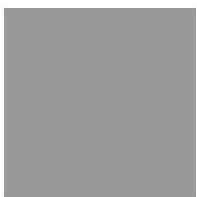


Painted metal
Mat brass



Painted metal
Mat pearl gold

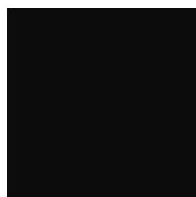
Special Metal



Metal finish
Clouded chrome



Metal finish
Brown nickel



Metal finish
Dark nickel

