

BONALDO

Bruno

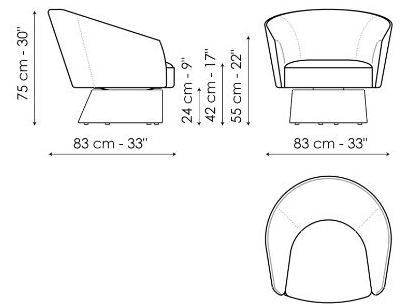
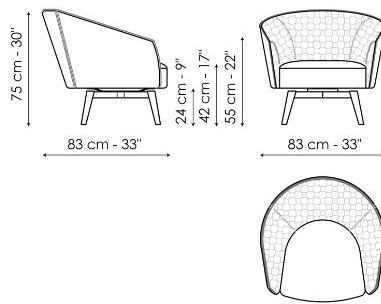
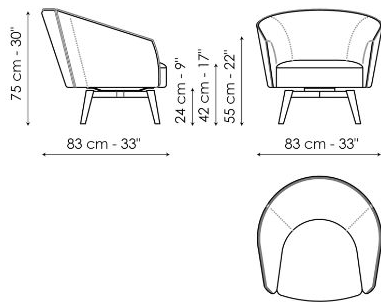


Bruno is a furniture armchair with a line featuring sobriety, but which is reminiscent of design tradition. The generous padding and curved shapes make its image pleasantly soft. The aesthetic appeal is accentuated by the edge of the armrests and backrest which, in a single line, lead to a unique game of materials and combinations, thereby creating a high-

impact optical effect. The upholstery, in fabric or leather, is completely removable. It is also available in the quilted version, named Bruno ego and it is also possible to choose two different bases for the Bruno armchair: with a closed and upholstered base or with four metal feet.



Data sheet



Bruno - feet

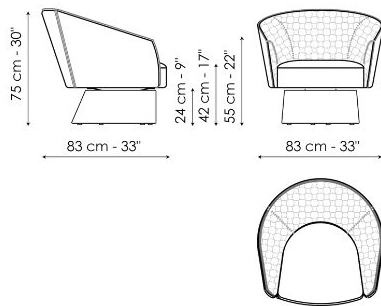
Width: 83cm
Depth: 83cm
Height: 75cm

Bruno ego - feet

Width: 83cm
Depth: 83cm
Height: 75cm

Bruno - covered base

Width: 83cm
Depth: 83cm
Height: 75cm



Bruno ego - covered base

Width: 83cm
Depth: 83cm
Height: 75cm

Finishes

FEET - BASE

Metal



Painted metal
Mat white



Painted metal
Mat dove grey



Painted metal
Supreme anthracite



Painted metal
Mat black

Plus Metal



Painted metal
Mat bronze

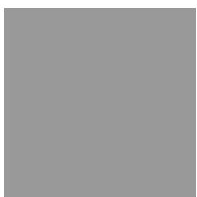


Painted metal
Mat lead



Painted metal
Mat pearl gold

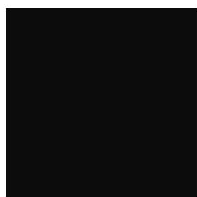
Special Metal



Metal finish
Clouded chrome



Metal finish
Brown nickel



Metal finish
Dark nickel

