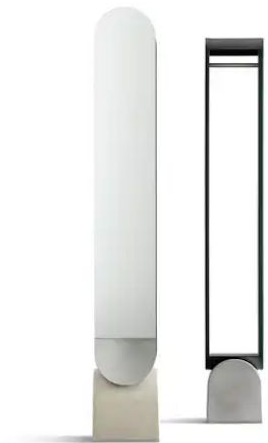


BONALDO

Vague mirror

Designer: **Roberto Paoli**

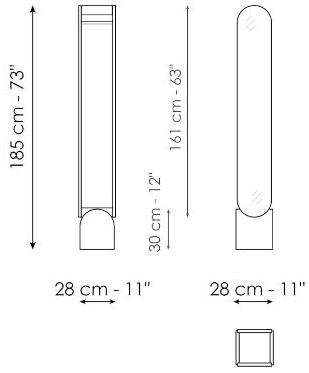


The Vague mirror combines a floor-based mirror and a coat hanger in a single small space. The mirror has the concrete base that is typical of the Vague collection, from which two panels emerge vertically, the front section mirrored and the

rear in wood, joined together by a metal frame and a rod on which to hang clothes, combining the function of reflection with the practicality of a clothes hanger.



Data sheet



Vague mirror

Width: 28cm

Depth: 28cm

Height: 185cm

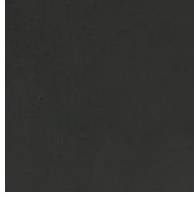
Finishes

FRAME

Plus Metal



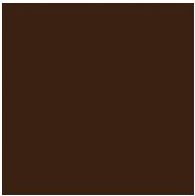
Painted metal
Mat bronze



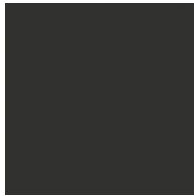
Painted metal
Mat lead

BACK PANEL

Wood



Lacquered wood
Mat bronze



Lacquered wood
Mat lead

BASE

Concrete



Concrete
Travertin look



Concrete
Grey

Materials, fabrics, leathers, colors and finishes are approximate and may slightly differ from actual ones. You can find the complete collection of Bonaldo fabrics and leathers on the website

