

BONALDO

Pepita

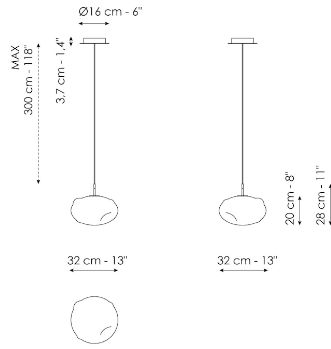


Pepita is a collection of lamps characterized by a wide variety of finishes, sizes and combinations and inspired by the shape of gold nuggets. As its name suggests, Pepita calls to mind a multifaceted piece of precious metal, which changes and transforms depending on the perspective. In the same way, it is capable of transforming the space thanks to its shape which is deliberately irregular, and thanks to the finishes of the glass lampshade which characterize the personality of the lamp, thereby creating different lighting atmospheres

depending on the compositions. Pepita is ethereal in the transparent version, while it conveys a sense of elegance of times past in the silk version or gives a touch of color and warmth in the copper version. Pepita is available as a suspension lamp (single glass and in three compositions: three glass, five glass and seven glass), as a floor lamp and as a table lamp. The glass lampshade is available in three different sizes.

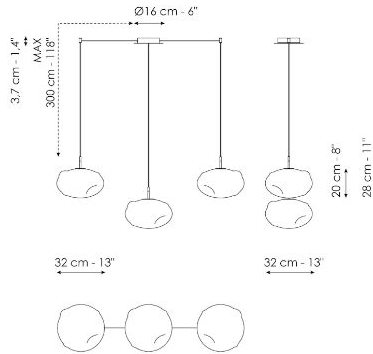


Data sheet



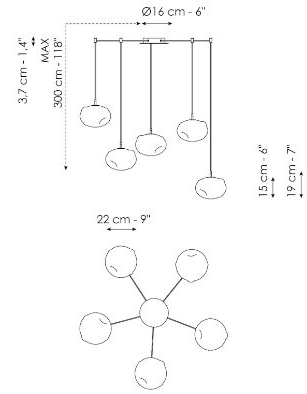
Pepita - 1 light

Width: 32cm
Depth: 32cm
Height: 28cm



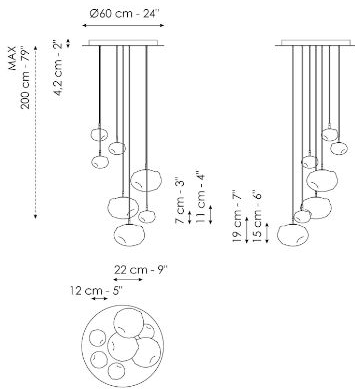
Pepita - 3 lights

Width: 32cm
Depth: 32cm
Height: 28cm



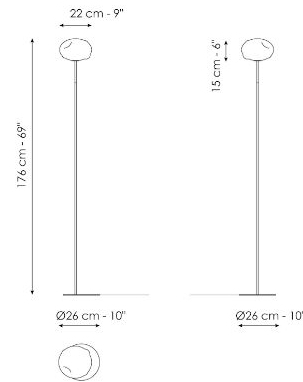
Pepita - 5 lights

Width: 22cm
Depth: 22cm
Height: 19cm



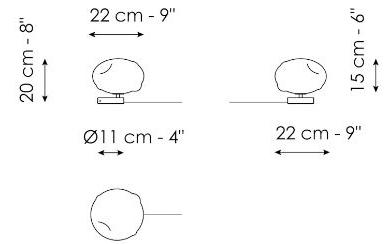
Pepita - 7 lights

Width: 60cm
Depth: 60cm
Height: cm



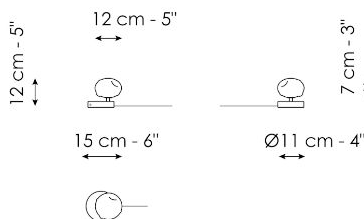
Pepita - floor lamp

Width: 26cm
Depth: 26cm
Height: 176cm



Pepita - large table lamp

Width: 22cm
Depth: 22cm
Height: 20cm



Pepita - small table lamp

Width: 15cm
Depth: 11cm
Height: 12cm

Finishes

STRUCTURE

Plus Metal



Painted metal
Mat bronze



Painted metal
Mat lead

DETAIL

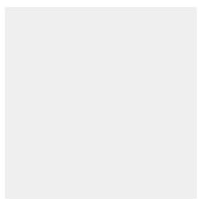
Plus Metal



Painted metal
Mat brass

LAMPSHADE

Transparent Glass



Glass
Transparent

Glass



Glass
Silk



Glass
Copper

Materials, fabrics, leathers, colors and finishes are approximate and may slightly differ from actual ones. You can find the complete collection of Bonaldo fabrics and leathers on the website

