

# BONALDO

## Narciso

Designer: **Marconato and Zappa**

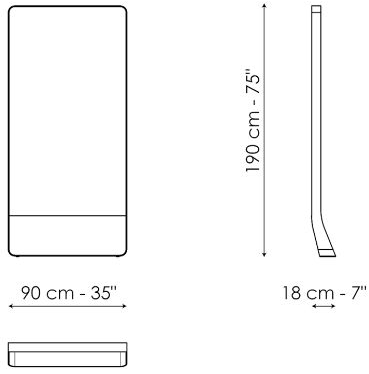


The rectangular shape and the rounded corners are the main characteristics of the Narciso mirrors, available in two different sizes. The profile, a metal frame available in different finishes, is transformed in the bottom section, widening

towards the support base, thus creating an empty space between the modern floor mirror and the base. The frame is available in anthracite grey, black and supreme anthracite metal or in bronze, pearl gold and lead metal finishes.



# Data sheet

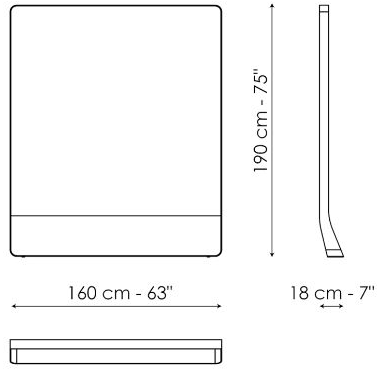


## **Narciso 90 x H 190**

Width: 90cm

Depth: 18cm

Height: 190cm



## **Narciso 160 x H 190**

Width: 160cm

Depth: 18cm

Height: 190cm

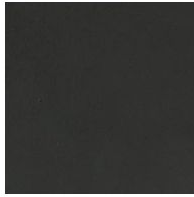
# Finishes

## FRAME

### Plus Metal



**Painted metal**  
Mat bronze



**Painted metal**  
Mat lead



**Painted metal**  
Mat brass

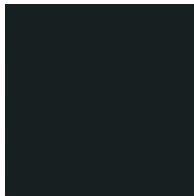


**Painted metal**  
Mat copper

### Metal



**Painted metal**  
Supreme anthracite

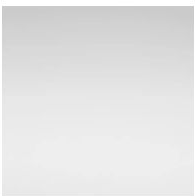


**Painted metal**  
Mat black

---

## MIRROR

### Mirror



**Mirror**  
Mirror

---

Materials, fabrics, leathers, colors and finishes are approximate and may slightly differ from actual ones. You can find the complete collection of Bonaldo fabrics and leathers on the website

