

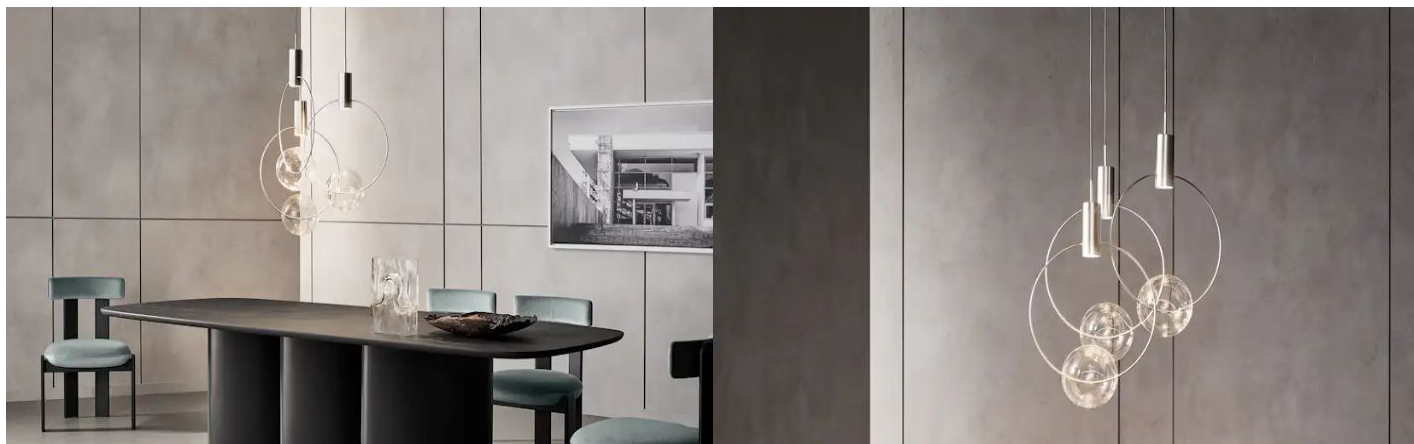
BONALDO

Keshi

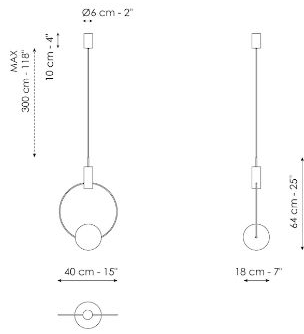


Keshi is a jewel that illuminates discreetly, creating an intimate and sophisticated atmosphere. A blown glass sphere, similar to a valuable pearl, hangs sinuously from its stem, creating an image of pure elegance. The essential and contemporary lines that define its silhouette capture attention and allow Keshi to fit into any environment, from residential to contract. Keshi is available with a brushed nickel

and copper bronze frame, two finishes that combine with the delicate brightness diffused by the transparent glass sphere. Further customization is possible with the 3-light version, while casual features a round rosette and the lights can be mounted at variable heights and linear features a rectangular rosette with rounded corners and the lights fixed at the same height and distance.



Data sheet

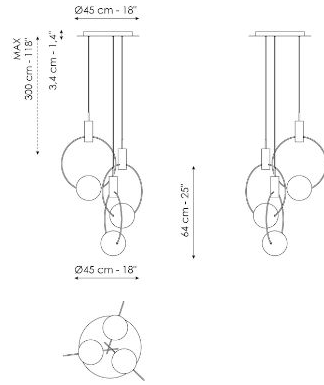


Keshi - 1 light

Width: 40cm

Depth: 18cm

Height: 64cm

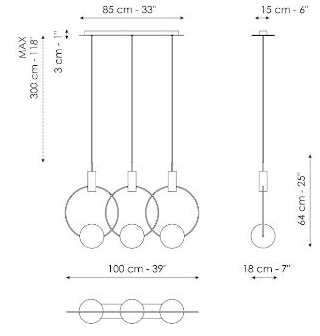


Keshi - 3 lights casual

Width: 40cm

Depth: 48cm

Height: 64cm



Keshi - 3 lights linear

Width: 100cm

Depth: 18cm

Height: 64cm

Finishes

STRUCTURE

Special Metal



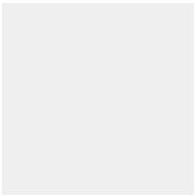
Painted steel
Brushed nickel



Metal finish
Copper-bronze

LAMPSHADE

Transparent Glass



Glass
Transparent

Materials, fabrics, leathers, colors and finishes are approximate and may slightly differ from actual ones. You can find the complete collection of Bonaldo fabrics and leathers on the website

