

BONALDO

Colibrì chair

Designer: **Fabrice Berrux**

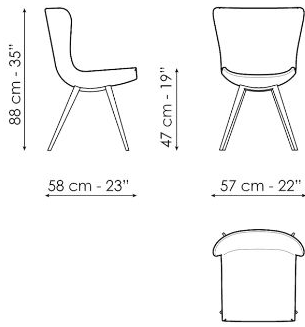


Perfect for the dining area, the Colibrì chair, available as a fabric dining room chair or in leather, renews the balance between the parts that distinguish it. The thin metal structure of the base highlights the welcoming volume of the seat/backrest: a large “shell” with raised edges and generous

proportions that offers “comfort without gravity”, giving body to the essential image from which the design by Fabrice Berrux emerges. The working of the padded surface highlights the detail of the parallel-stitched seams which run along the entire length of the upholstery.



Data sheet



Colibri chair

Width: 58cm

Depth: 57cm

Height: 88cm

Finishes

LEGS

Metal



Painted metal
Mat white



Painted metal
Mat dove grey



Painted metal
Mat brown



Painted metal
Mat black

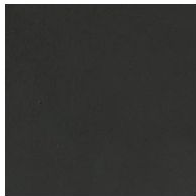


Painted metal
Supreme anthracite

Plus Metal



Painted metal
Mat bronze



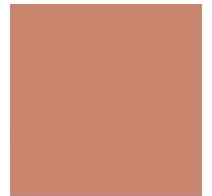
Painted metal
Mat lead



Painted metal
Mat pearl gold



Painted metal
Mat brass



Painted metal
Mat copper

Special Metal



Metal finish
Burnished

