



Table entirely made of solid wood, with top in glued lists and rounded sides. The shape of the base plays with curves and symmetries that give it an idea of lightness.

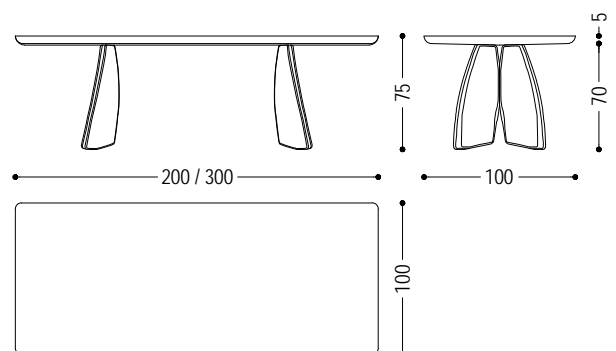
CODE	SIZE	A1	A2	A4
ALTER EGO 1	W.200 x D.100 x H.75	■	■	■
ALTER EGO 2	W.220 x D.100 x H.75	■	■	■
ALTER EGO 3	W.240 x D.100 x H.75	■	■	■
ALTER EGO 4	W.260 x D.100 x H.75	■	■	■
ALTER EGO 5	W.280 x D.100 x H.75	■	■	■
ALTER EGO 6	W.300 x D.100 x H.75	■	■	■

**AVAILABLE FINISHES:**

**A1:** walnut without knots, walnut with knots

**A2:** oak without knots, oak with knots, cherry

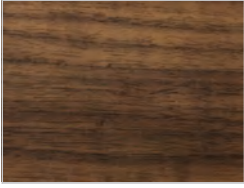
**A4:** oak without knots pigmented: white milk, total black  
oak with knots pigmented: white milk, total black



# ALTER EGO | AVAILABLE FINISHES

## WOOD

A1

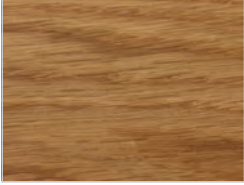


walnut without knots



walnut with knots

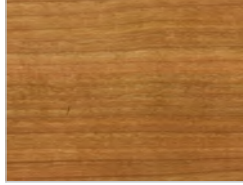
A2



oak without knots



oak with knots

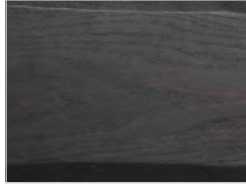


cherry

A4



oak without knots pigmented:  
white milk



oak without knots pigmented:  
total black



oak with knots pigmented:  
white milk



oak with knots pigmented:  
total black