



echo line

DESIGN MARCEL
WANDERS

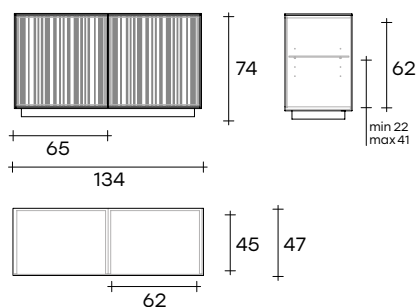
modello registrato
registered model

portata su ogni piano: 20 kg
portata sul top: 30 kg
load capacity on each shelf: 20 kg
load capacity on the top: 30 kg

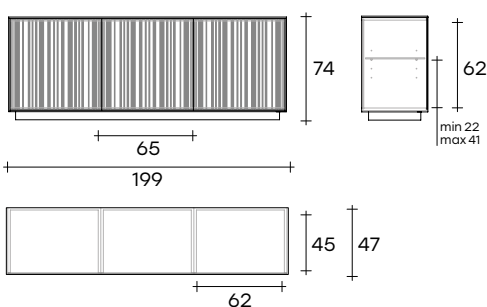
Madia con struttura in legno laccato bianco opaco, grigio vulcano, oppure Greige Metallizzato. Ante in vetro da 6 mm temperato, fuso oppure liscio, disponibili nelle seguenti finiture: vetro extralight retroverniciato, oppure retroargentato; vetro extralight acidato retroverniciato; vetro bronzo retroargentato. Ripiani interni in vetro fumè da 8 mm temperato.

Cupboard with wooden lacquered structure in matt white, vulcan grey or Metallic Greige finish. Doors in 6 mm thick tempered glass, fused or flat, available in the following finishes: back painted or back silvered extralight glass; back painted acid-etched extralight glass; back silvered bronze glass. Inner shelves in 8 mm thick tempered smoke glass.

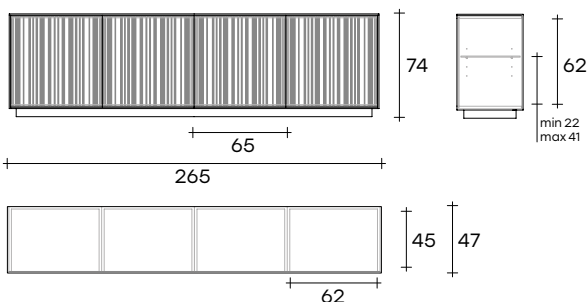
ECLM134



ECLM199



ECLM265



dimensioni L, P, H
dimensions L, W, H
(cm)

Madia con ante in vetro liscio retroverniciato o retroargentato.
Cupboard with flat glass doors, back-painted or back-silvered.

	COD./CODE	L	P/W	H	peso netto net weight (kg)	peso lordo gross weight (kg)	volume imballo package volume (m³)
	ECM134...	134	47	74	76	120	0,95
	ECM199...	199	47	74	111	157	1,22
	ECM265...	265	47	74	135	183	1,55
	ECLM134/	134	47	74	76	120	0,95
	ECLM199/	199	47	74	111	157	1,22
	ECLM265/	265	47	74	135	183	1,55

Madia con ante in vetro fuso retroverniciato o retroargentato.
Cupboard with fused glass doors, back-painted or back-silvered.

STRUTTURA IN LEGNO LACCATO _ LAQUERED WOOD STRUCTURE

Bianco <i>White</i>	Grigio vulcano <i>Vulcan grey</i>	Greige metallizzato <i>Metallic Greige</i>
BI	VU	GM

ANTE IN VETRO LISCIO (NON FUSO) _ FLAT GLASS DOORS (NOT FUSED)

COLORE RETROVERNICIATURA <i>BACK-PAINTING COLORS</i>	TIPO DI VETRO _ TYPE OF GLASS		
	Vetro extralight <i>Extralight glass</i>	Vetro bronzo <i>Bronze glass</i>	Vetro extralight acidato <i>Acid-etched extralight glass</i>
Bianco <i>White</i>	EX-BI		XA-BI
Grigio Vulcano <i>Vulcan Grey</i>	EX-VU		
Champagne <i>Champagne</i>			XA-CH
Argentato <i>Silvered</i>	EX-AG	BR-AG	

ANTE IN VETRO FUSO - TEXTURE "ECHO LINE" _ FUSED GLASS DOORS - "ECHO LINE" TEXTURE

COLORE RETROVERNICIATURA <i>BACK-PAINTING COLORS</i>	TIPO DI VETRO _ TYPE OF GLASS	
	Vetro extralight fuso <i>Fused extralight glass</i>	Vetro bronzo fuso <i>Fused bronze glass</i>
Bianco <i>White</i>	VFEX-BI	
Grigio Vulcano <i>Vulcan Grey</i>	VFEX-VU	
Argentato <i>Silvered</i>	VFEX-AG	VFBR-AG

FINITURE FINISHES

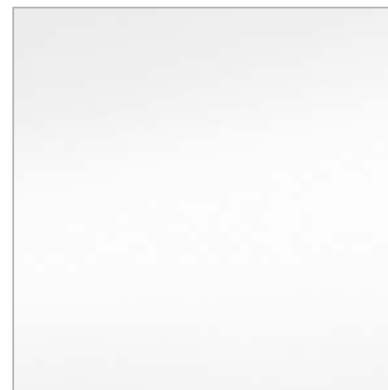
Struttura in legno Wood structure



Grigio Vulcano
Vulcan grey



Greige metallizzato
Metallic greige

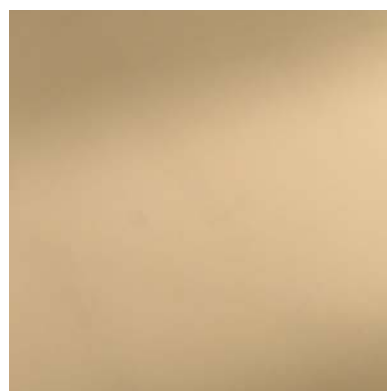


Bianco
White

Ante in vetro piano Flat glass doors



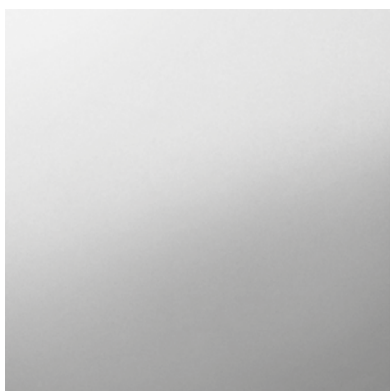
Extralight retroverniciato
Grigio Vulcano
Vulcan grey back-painted
extralight glass



Bronzo retroargentato
Back-silvered bronze glass



Extralight retroverniciato
bianco
White back-painted
extralight glass



Extralight retroargentato
Back-silvered extralight glass



Extralight acidato
retroverniciato Champagne
Acid-etched extralight glass,
Champagne back-painted



Extralight acidato
retroverniciato bianco
Acid-etched extralight
glass, White back-painted

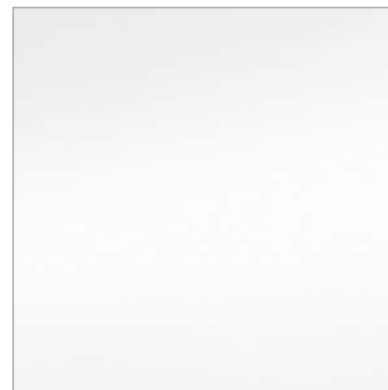
**FINITURE
FINISHES**

**Struttura in legno
Wood structure**

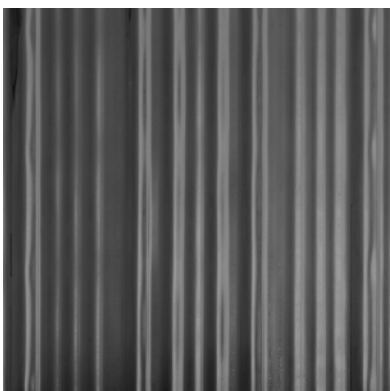
Grigio Vulcano
Vulcan grey



Greige metallizzato
Metallic greige



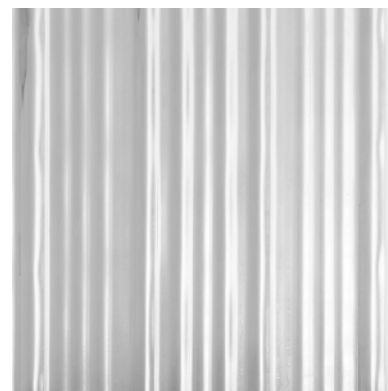
Bianco
White

**Ante in vetro fuso
Fused glass doors**

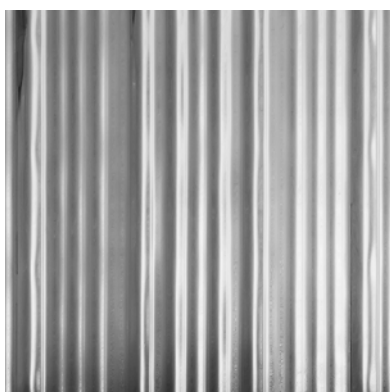
Extralight retroverniciato
Grigio Vulcano
Vulcan grey back-painted
extralight glass



Bronzo retroargentato
Back-silvered bronze glass



Extralight retroverniciato
bianco
White back-painted
extralight glass



Extralight retroargentato
Back-silvered extralight glass