



High display cabinet with solid wood and blockboard structure, characterized by doors, four shelves on the inside, and a glass back. Equipped with an internal chest of drawers composed of two drawers. Leather handles for ease of opening. Lit by a system of vertical LED lights.

STANDARD COMPOSITION:

- REFLEX 1: 2 DOORS - 4 ADJUSTABLE GLASS SHELVES - 2 DRAWERS
- REFLEX 2: 2 DOORS - 3 ADJUSTABLE GLASS SHELVES - 2 DRAWERS

CODE	SIZE	GLASS	A1	A2	A4
REFLEX 1	W.125 x D.40 x H.250	E1	■	■	■
		E2	■	■	■
REFLEX 2	W.125 x D.40 x H.215	E1	■	■	■
		E2	■	■	■

AVAILABLE FINISHES

A1: walnut without knots, walnut with knots

A2: oak without knots, oak with knots, cherry

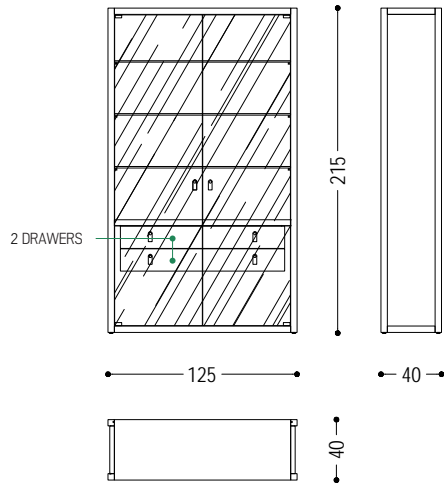
A4: oak without knots pigmented: white milk, total black

oak with knots pigmented: white milk, total black

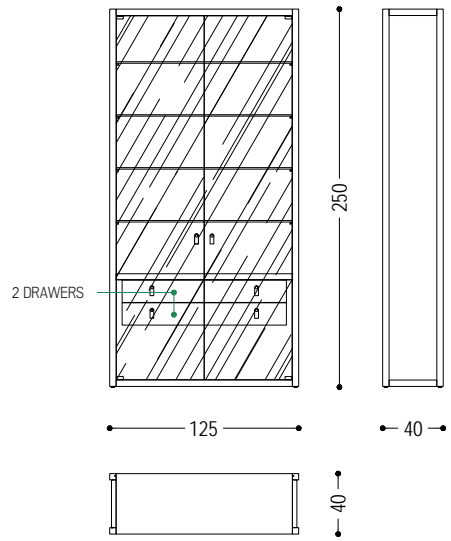
E1: glass: clear / extra clear, satin

E2: glass: smoked, bronzed

REFLEX 2

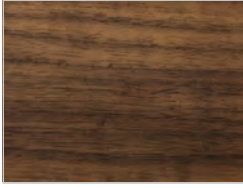


REFLEX 1



WOOD

A1

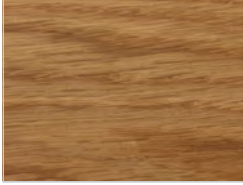


walnut without knots



walnut with knots

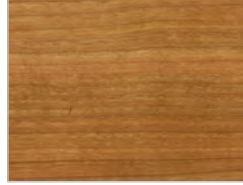
A2



oak without knots



oak with knots

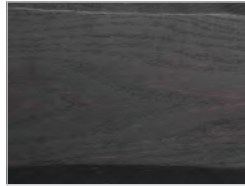


cherry

A4



oak without knots pigmented:
white milk



oak without knots pigmented:
total black



oak with knots pigmented:
white milk



oak with knots pigmented:
total black

GLASS

E1

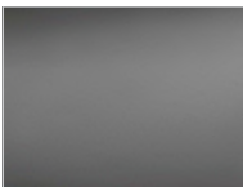


clear / extra clear glass



satin glass

E2



smoked glass



bronzed glass