



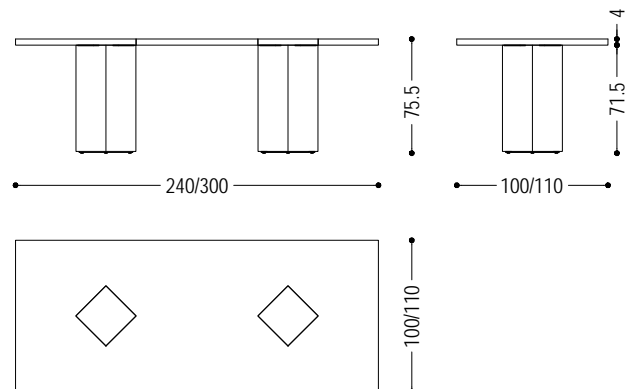
Table with a solid wood top with glued slats, characterized by its exposed legs, intersecting with the top, made from tree trunk sections, and rotated to a 45° angle.

CODE	SIZE	A1	A2
JUNIOR B 1	W.240 x D.100 x H.75,5	■	■
JUNIOR B 2	W.240 x P.110 x H.75,5	■	■
JUNIOR B 3	W.260 x D.100 x H.75,5	■	■
JUNIOR B 4	W.260 x P.110 x H.75,5	■	■
JUNIOR B 5	W.280 x D.100 x H.75,5	■	■
JUNIOR B 6	W.280 x P.110 x H.75,5	■	■
JUNIOR B 7	W.300 x D.100 x H.75,5	■	■
JUNIOR B 8	W.300 x P.110 x H.75,5	■	■

AVAILABLE FINISHES

A1: walnut with knots

A2: oak with knots



WOOD

A1



walnut with knots

A2



oak with knots