

TECHNICAL SHEET

1708-30

Mounting: Applique / Wall lamp

Environment: Indoor - IP20

Materials: Metallo / Metal

Voltage: 220-240V 50/60Hz

Source: LED 10W - CRI=90

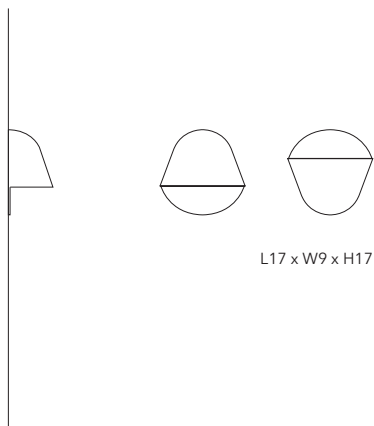
Color Temperature: 3000K / 2700K

Lumen: 469lm / 441lm

Lighting Control: Dimmable phase cut



1708-30



Finiture / Finishes

Struttura / Structure



Nero opaco
Matt black



Oro opaco
Matt gold



Bianco opaco
Matt white



Titanio opaco
Matt titanium

CODES

| CODICI / CODES | MISURA / SIZE | STRUTTURA / STRUCTURE | DIFFUSORE / SHADE | DETTAGLI / DETAILS |
|-------------------|---------------|-------------------------------|-------------------|------------------------------|
| 1708-30-0600-DXNE | wall lamp | oro opaco / matt gold | | dimmbable phase cut 3000K |
| 1708-30-0600-DXWE | wall lamp | oro opaco / matt gold | | dimmbable phase cut 2700K |
| 1708-30-1100-DXNE | wall lamp | nero opaco / matt black | | dimmbable phase cut 3000K |
| 1708-30-1100-DXWE | wall lamp | nero opaco / matt black | | dimmbable phase cut 2700K |
| 1708-30-0100-DXNE | wall lamp | bianco opaco / matt white | | dimmbable phase cut 3000K |
| 1708-30-0100-DXWE | wall lamp | bianco opaco / matt white | | dimmbable phase cut 2700K |
| 1708-30-1800-DXNE | wall lamp | titanio opaco / matt titanium | | dimmbable phase cut 3000K |
| 1708-30-1800-DXWE | wall lamp | titanio opaco / matt titanium | | dimmbable phase cut 2700K |

